

Special Series

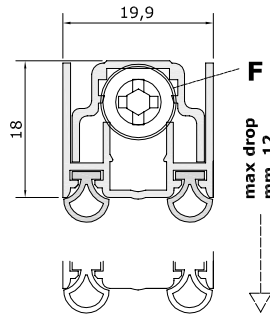
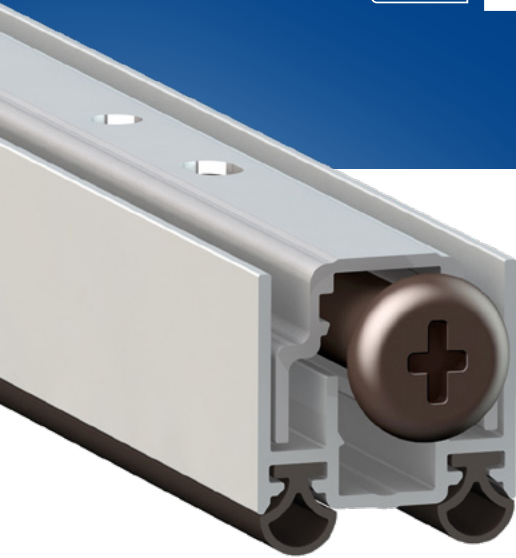
MA₃RK 220

Certified for:

Usage cycles **200.000**

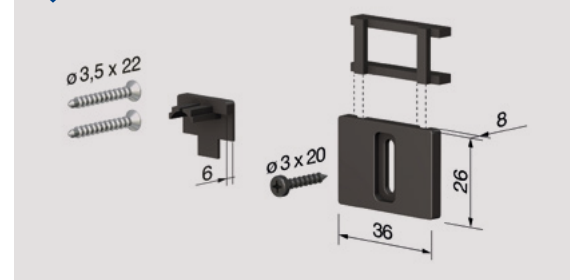
Protects from:

- Air
- Water
- Light
- Insects



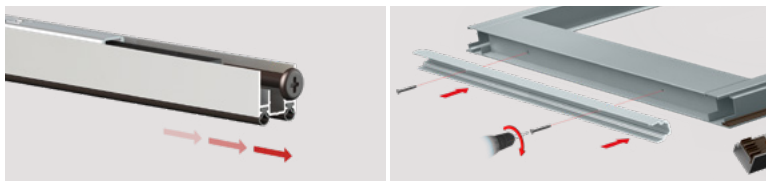
Not an obstacle for disabled persons

STANDARD ACCESSORIES



Standard measurements (mm)	330	430	530	630	730	830	930	1030	1130	1230	1330
Max shortening (mm)	130	130	200	200	200	200	200	200	200	200	200

FASTENING SYSTEMS



Remove and screw

Mechanism with a single adjustment (screw F: descent) characterised by the controlled movement of the moving profile with gasket (immediate descent from the hinge side of the door and consequent gradual descent for the entire length) for adjustment to the floor.

STANDARD: Cardboard box with 30 pcs + 30 standard accessory packs.

MAIN APPLICATIONS



Aluminium door

Extruded profiles in aluminium alloy 6060 - dual extruded tubular neoprene gasket - elements printed in self-lubricating nylon + nylon reinforced with 30% glass fibre - threaded rods in burnished iron - Ø 5 mm brass bushing - coil springs in treated stainless steel.

OPTIONAL ACCESSORIES

Details on page 102

1 Nylon plate

CA104				100 pcs pack
CA201	CA202	CA203	CA204	brown, white
CA205	CA207			

2 Insulating nylon plate with silicon gasket

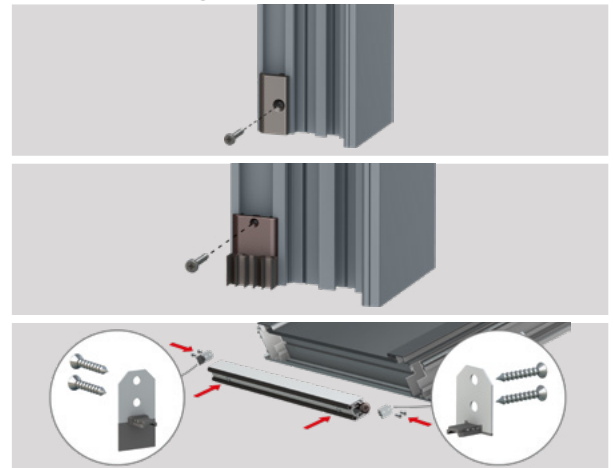
PI001	PI002	PI002-R	20 pcs pack
PI003	PI004	PI005	brown, white

3 Using brackets

SCN001	SCN001B-220NS	20 pcs pack
		steel, brown

Application examples

Frame with ribbing



BUTTON (F): hexagonal brass, square nylon, bevelled nylon, rolling nylon (pivot).

OPTIONAL: Cardboard box with 15 polyethylene bags with 1 pc + 1 standard accessory pack + assembly instructions.